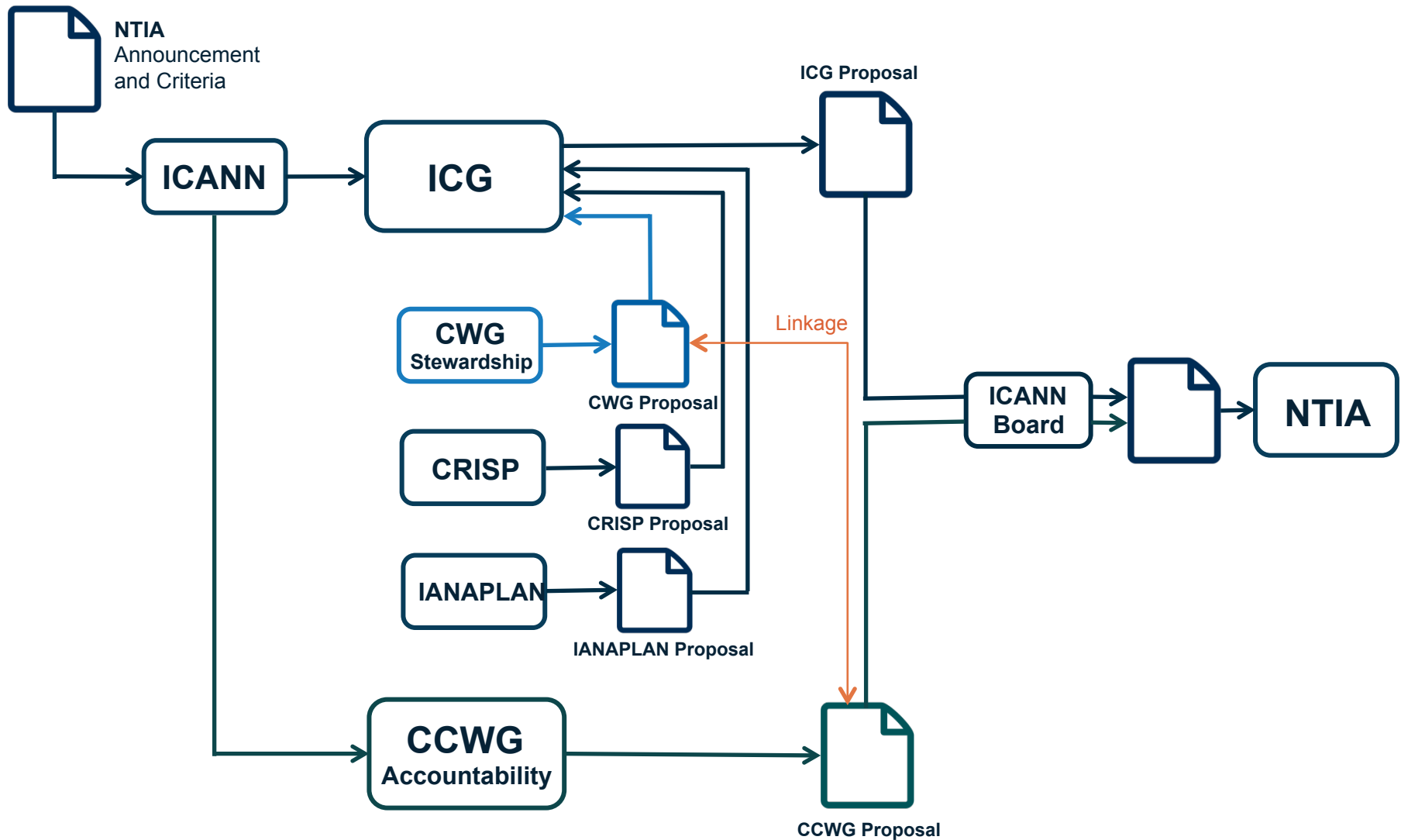




IANA Stewardship Transition & Enhancing ICANN Accountability

Elise Gerich | ICANN VP, IANA Dept | 28 August 2015

Agenda – Transition Process / Status Update



The U.S. Government's Announcement

14 March 2014: U.S. Government announces intent to transition its stewardship of the IANA functions to the global multistakeholder community

- ⦿ Asked ICANN to convene global stakeholders to develop a proposal
- ⦿ The multistakeholder community has set policies implemented by ICANN for more than 15 years



Why
now?

The U.S. Government's announcement:

- ⦿ Marks the final phase of the privatization of the DNS
- ⦿ Further supports and enhances the multistakeholder model of Internet policy making and governance

ICANN was asked to serve as a facilitator, based on its role as the IANA functions administrator and global coordinator for the Internet's Domain Name System (DNS)

Transition Requirements set by NTIA

NTIA has stated that the transition proposal must have broad community support and address the following four principles:



Support and enhance the multistakeholder model



Maintain the security, stability and resiliency of the Internet DNS



Meet the needs and expectations of the global customers and partners of the IANA services



Maintain the openness of the Internet

NTIA also specified that it will **not** accept a proposal that replaces the NTIA role with a government-led or intergovernmental organization solution.

Two Parallel Processes

The community developed and is following two parallel processes:

IANA Stewardship Transition

Focused on delivering a proposal to transition the stewardship of the IANA functions to the multistakeholder community

Enhancing ICANN Accountability

Focused on ensuring that ICANN remains accountable in the absence of its historical contractual relationship with the U.S.

To drive the processes, the community created **multilayered, transparent** and **diverse** working groups to foster discussion and within those groups, has developed working methods and systems for determining consensus



IANA STEWARDSHIP TRANSITION

IANA Stewardship Transition Process

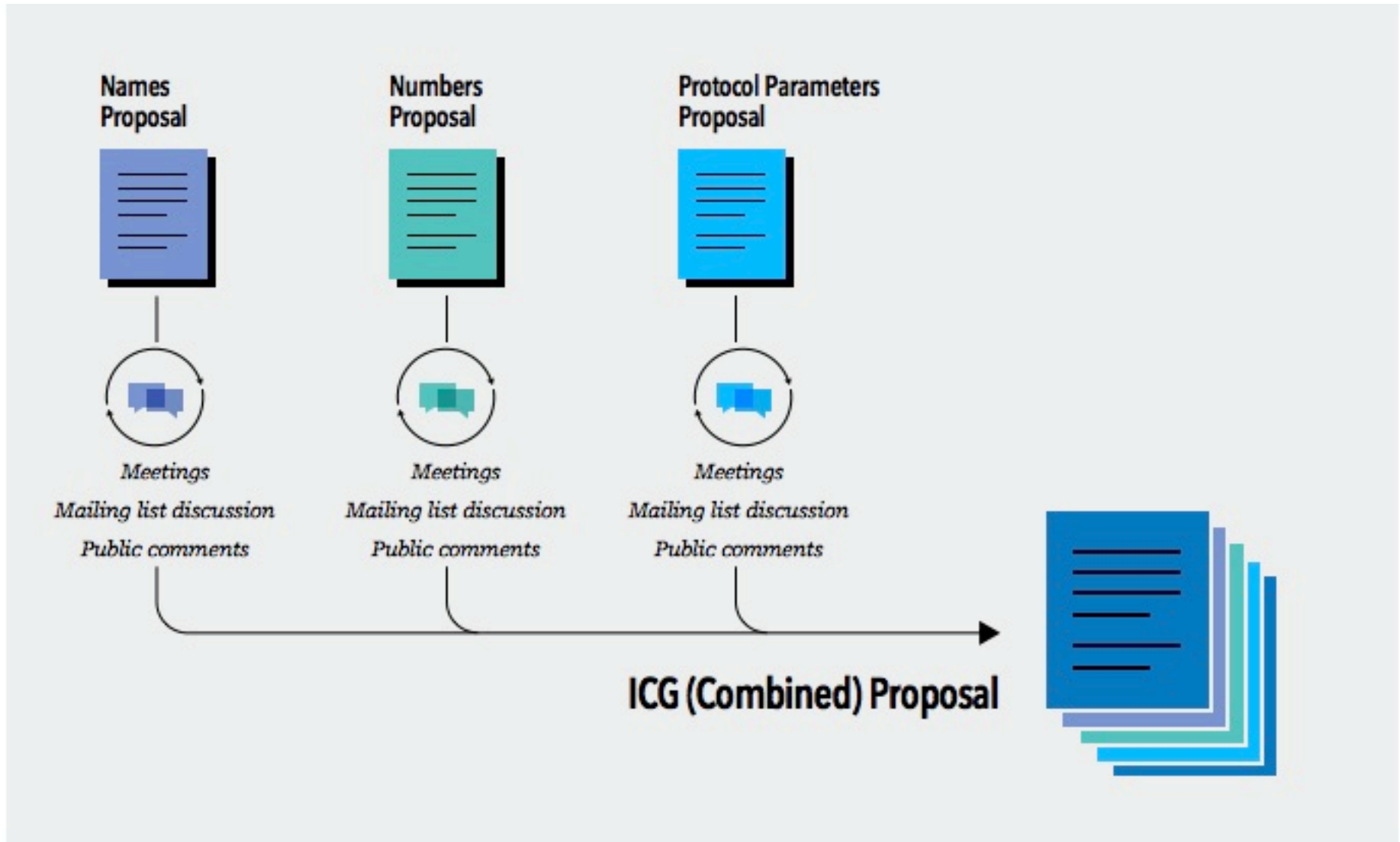
1 Establishment of a Coordination Group

- ⦿ Has representation from all stakeholders
- ⦿ The community self-selected its members
- ⦿ Established its own working methods and modes of operation
- ⦿ Was encouraged to adhere to diversity standards
- ⦿ Supported by an independent, non-ICANN staff secretariat

2 ICANN serves as a convener and facilitator of the

- ⦿ Provides engagement and outreach, travel and additional support services

Request for Transition Proposal Structure



Linkage & Coordination with CCWG-Accountability

1

ICANN Budget

Community rights regarding development and consideration

4

Customer Standing Committee (CSC)

Incorporated into the bylaws

2

ICANN Board

Community rights, specifically to appoint/remove members, recall entire Board

5

Appeals Mechanism

Independent Review Panel should be made applicable to IANA Functions and accessible by TLD managers

3

IANA Function Review

Incorporated into the bylaws

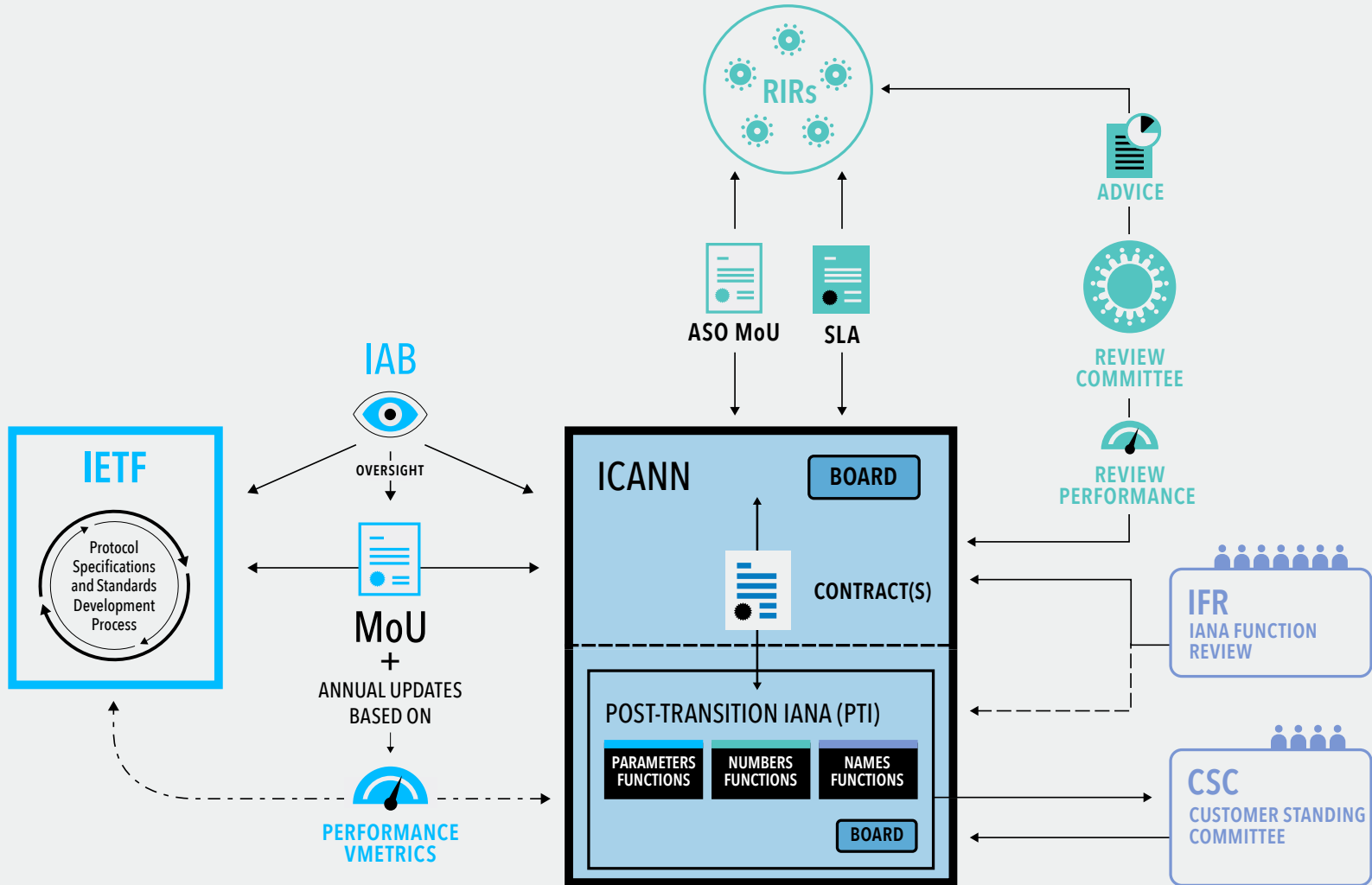
6

Fundamental bylaws

All foregoing mechanisms are to be provided for in the bylaws as “fundamental bylaws”

The CWG-Stewardship’s proposal is expressly conditioned upon the outcomes of the CCWG-Accountability.

Combined Proposal Overview



Next Steps for the ICG



Public comment period:

July 31 to Sept 8

Public comment website:

comments.ianacg.org



ENHANCING ICANN ACCOUNTABILITY

Enhancing ICANN Accountability

As initial discussions around the transition took place, the community raised the broader topic of the impact of the change on ICANN's accountability.

- ⦿ The transition would end the U.S. Government's historical contractual relationship with ICANN
- ⦿ This relationship has been perceived as a backstop with regard to ICANN's organization-wide accountability

**As a
result**

ICANN launched a second process, parallel but interrelated with the IANA Stewardship Transition process, to examine from an organizational perspective how ICANN's broader accountability mechanisms should be strengthened to address the absence of the U.S. Government.

Existing ICANN Accountability Mechanisms

- 1 Affirmation of Commitments
- 2 Affirmation of Commitments Reviews
- 3 Bylaws
- 4 Bylaws-Mandated Redress Mechanism
- 5 Documentation for Board of Directors
- 6 Documented Relationships
- 7 External Laws
- 8 General ICANN Operational Information
- 9 ICANN Board Selection Process
- 10 Organizational Reviews

CCWG-Accountability Goals and Requirements

Goal:

Deliver proposals that would enhance ICANN's accountability towards all stakeholders.

The CCWG-Accountability has two Work Streams:



Work Stream 1

Focused on mechanisms enhancing ICANN accountability that must be in place or committed to within the time frame of the IANA Stewardship Transition



Work Stream 2

Focused on addressing accountability topics for which a timeline for developing solutions and full implementation may extend beyond the IANA Stewardship Transition

The Empowered Community's Powers

The CCWG-Accountability recommends the ICANN community be empowered with five distinct powers.



1. Reconsider/reject Budget or Strategy/Operating Plan

This power would give the community the ability to consider strategic/operating plans and budgets after they are approved by the Board (but before they come into effect) and reject them.



2. Reconsider/reject changes to ICANN "Standard" Bylaws

This power would give the community the ability to reject proposed Bylaws changes after they are approved by the Board but before they come into effect.



3. Approve changes to "Fundamental" Bylaws

This power would form part of the process set out for agreeing any changes of the "fundamental" bylaws. It requires that the community would have to give positive assent to any change, a co-decision process between the Board and the community and that such changes would require a higher vote.



Remove individual ICANN Board Directors

The community organization that appointed a given director could end their term and trigger a replacement process. The general approach, consistent with the law, is that the appointing body is the removing body.



5. Recall entire ICANN Board

This power would allow the community to cause the removal of the entire ICANN Board. (expected to be used only in exceptional circumstances).

Next Steps for the CCWG-Accountability



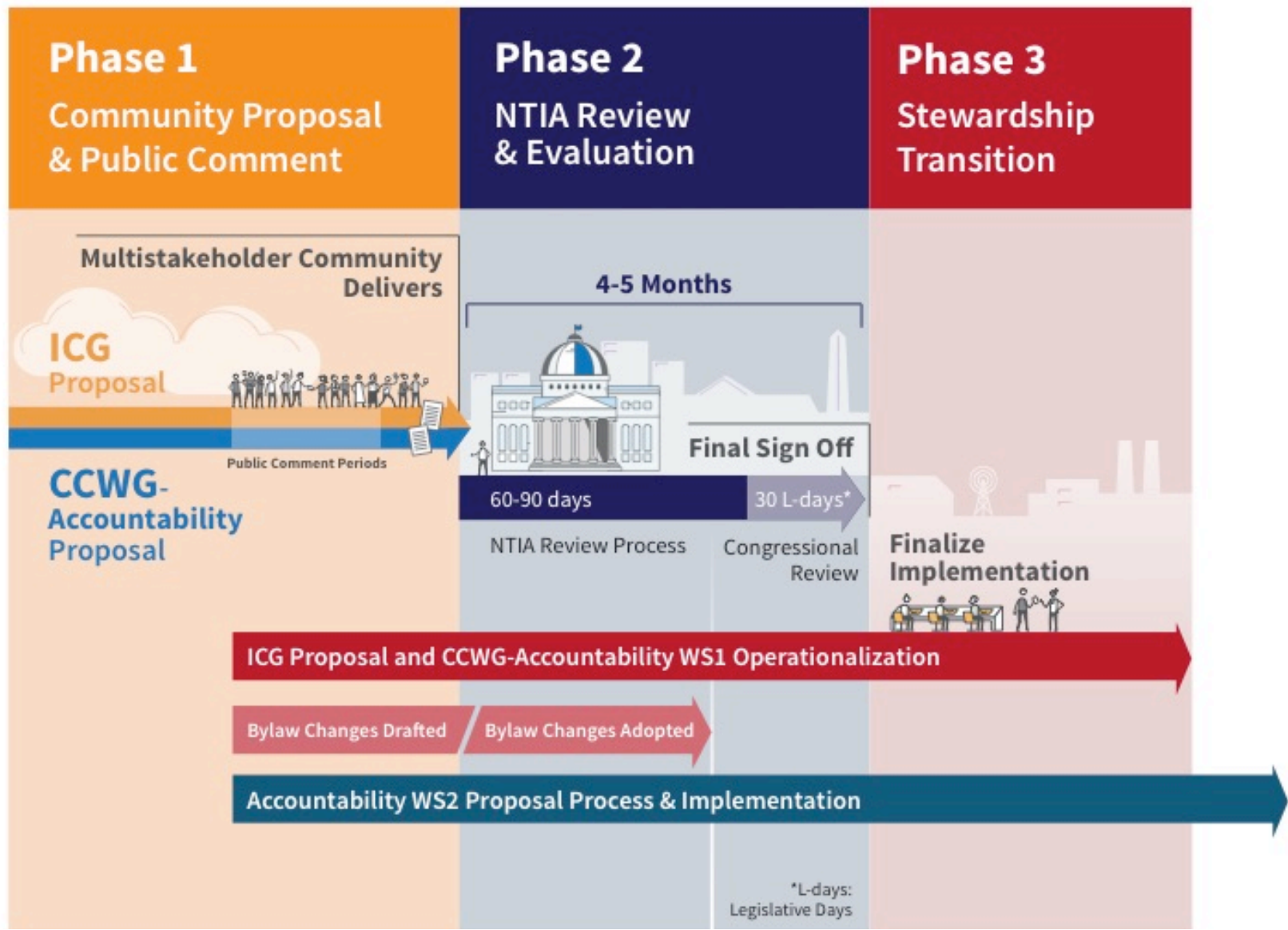
Public comment period:

August 3 to September 12

Public comment website:

**[https://www.icann.org/
public-comments/
ccwg-accountability-
2015-08-03-en](https://www.icann.org/public-comments/ccwg-accountability-2015-08-03-en)**

Where are we now?



What Can I Do Now To Get Involved?



Join a working group

- ◎ CCWG-Accountability, contact acct-staff@icann.org



Participate in a public comment period

Participating in public comment periods is an integral part of ICANN's inclusive and bottom-up model of proposal development



Stay up to date on recent developments

- ◎ Visit: <https://www.icann.org/stewardship-accountability>
- ◎ Follow [@ICANN](#) on Twitter or like [ICANN](#) on Facebook
- ◎ [Subscribe](#) to ICANN news alerts

Questions?



Thank You and Questions

Website: <https://www.icann.org/stewardship-accountability>



twitter.com/icann



facebook.com/icannorg

IANA Stewardship Transition

<https://www.icann.org/stewardship>

- ⦿ Latest news and information on the IANA Stewardship Transition and ICG
- ⦿ Community participation information
- ⦿ Resources and archives from ICG meetings

Enhancing ICANN Accountability

<https://community.icann.org/category/accountability>

- ⦿ Latest news and information on the Enhancing ICANN Accountability process and CCWG
- ⦿ Announcements and upcoming events